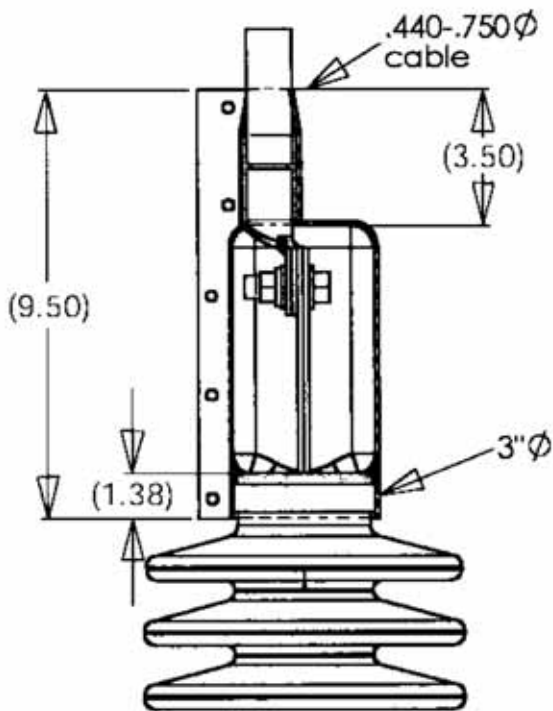
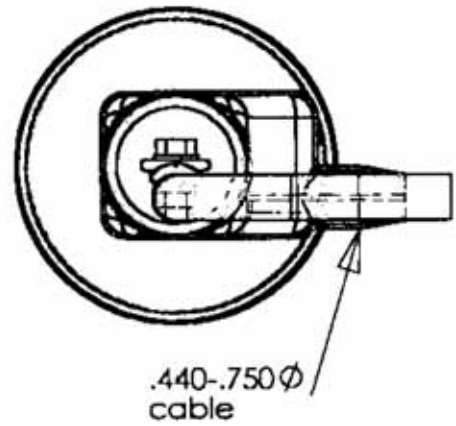
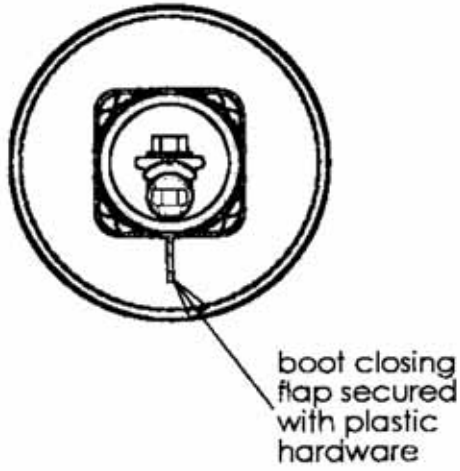
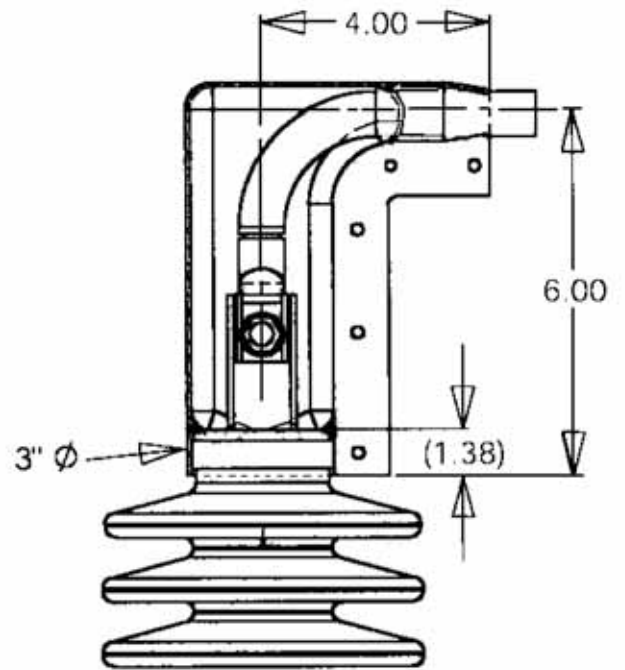


LIGHTNING ARRESTORS CONNECTIONS



Vertical cable connection



Horizontal cable connection

It's easy: just print, fill in and fax to
01294 311655

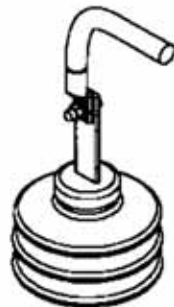
FAST FAX

INSULBOOT® LIGHTNING ARRESTORS CONNECTIONS

Standard Range – Our standard range of Lightning Arrestors connections exceed 12 different configurations. Main Bus size and Riser size range from 1/4" by 2" to 3/4" by 8".

Free Design Services – E-mail or fax your Bus layout and we will design and supply drawings of the InsulBoot to suit your needs, usually within 2-3 days. E-mail sales@insulboot.co.uk or fax 01294 311655

Custom InsulBoot – If it is not possible to meet your specifications from our range of standards, we will design and mold a custom InsulBoot to suit your applications, usually within 7 days.



1



2

CONNECTOR TYPE
CHECK ONE:

Provide Arrestor
Cap Diameter:

x
DIAMETER HEIGHT

If PT Tap is required, please mark position and size in sketch area provided.

Provide Cable
Size:

DIAMETER

Bus Insulation

THICKNESS

KV Rating

Use this area for additional notes, details or sketch of your own custom needs:

InsulBoot Only:

Insulboot Part #

Delivery Time

Price

- In Stock
 Custom

Name: _____ Company: _____

Fax: _____ Phone: _____ E-Mail: _____

Quantity: _____ Requested Delivery: _____

InsulBoot®

Fax to 01294 311655 • www.InsulBoot.co.uk